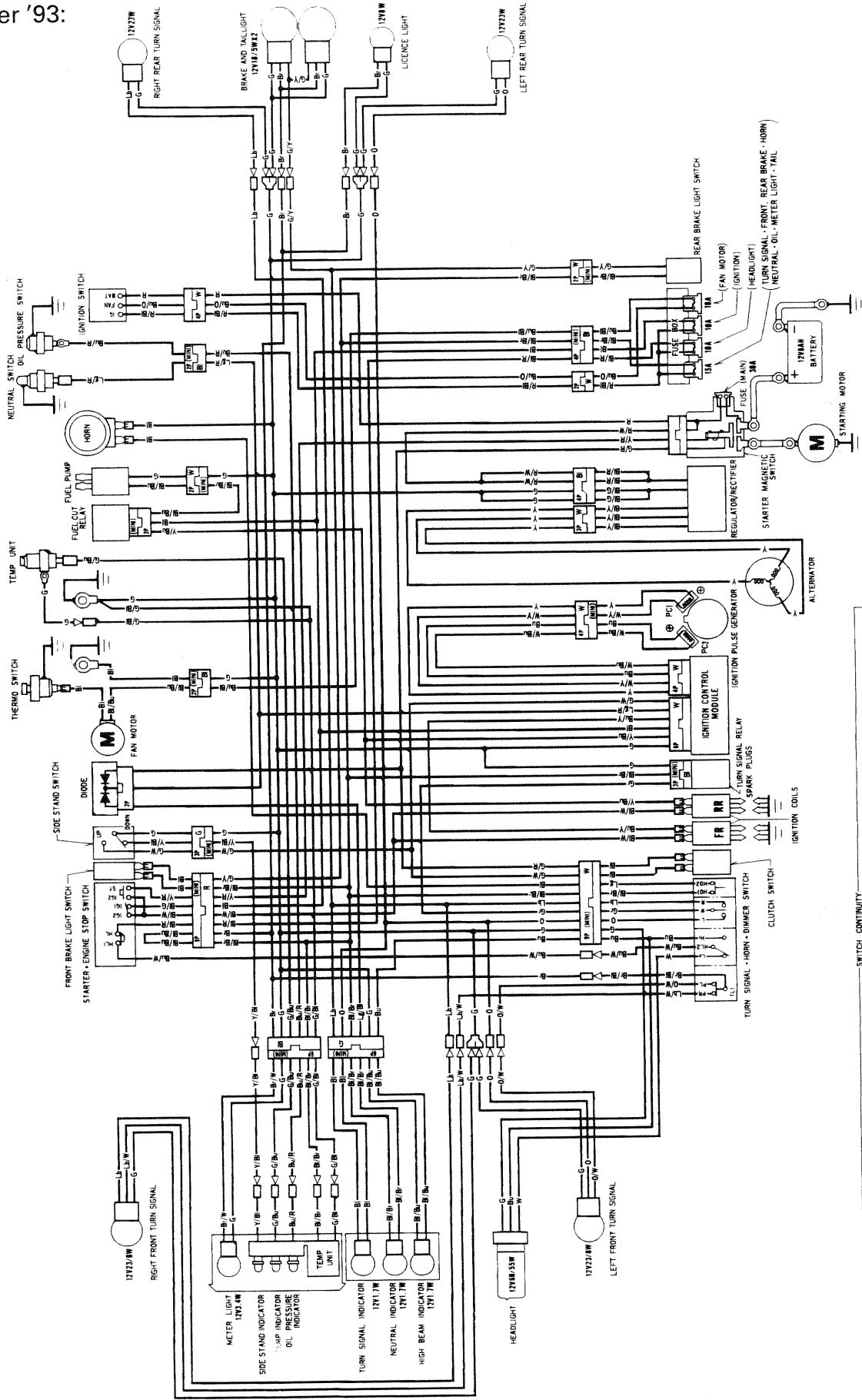


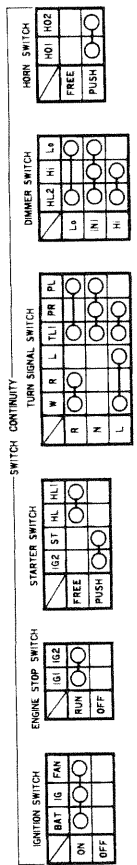
20. WIRING DIAGRAM

After '93:



- Bl ... BLACK
- Br ... BROWN
- Y ... YELLOW
- Bu ... BLUE
- G ... GREEN
- R ... RED
- W ... WHITE
- O ... ORANGE
- Lb ... LIGHT BLUE
- Lg ... LIGHT GREEN
- P ... PINK
- Gr ... GRAY

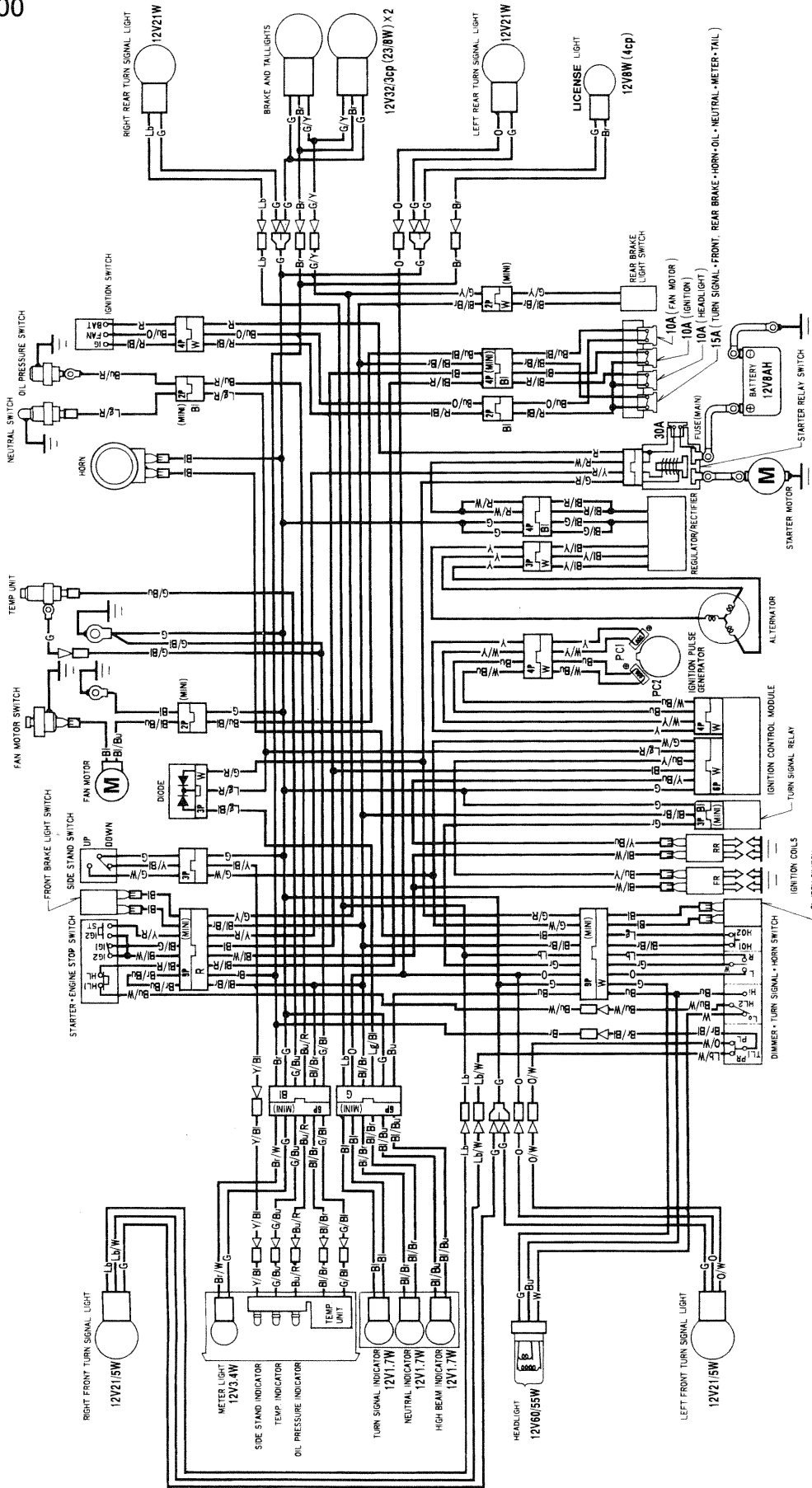
0030Z - MZ8 - 0000



WIRING DIAGRAM

NEW

'98-'00



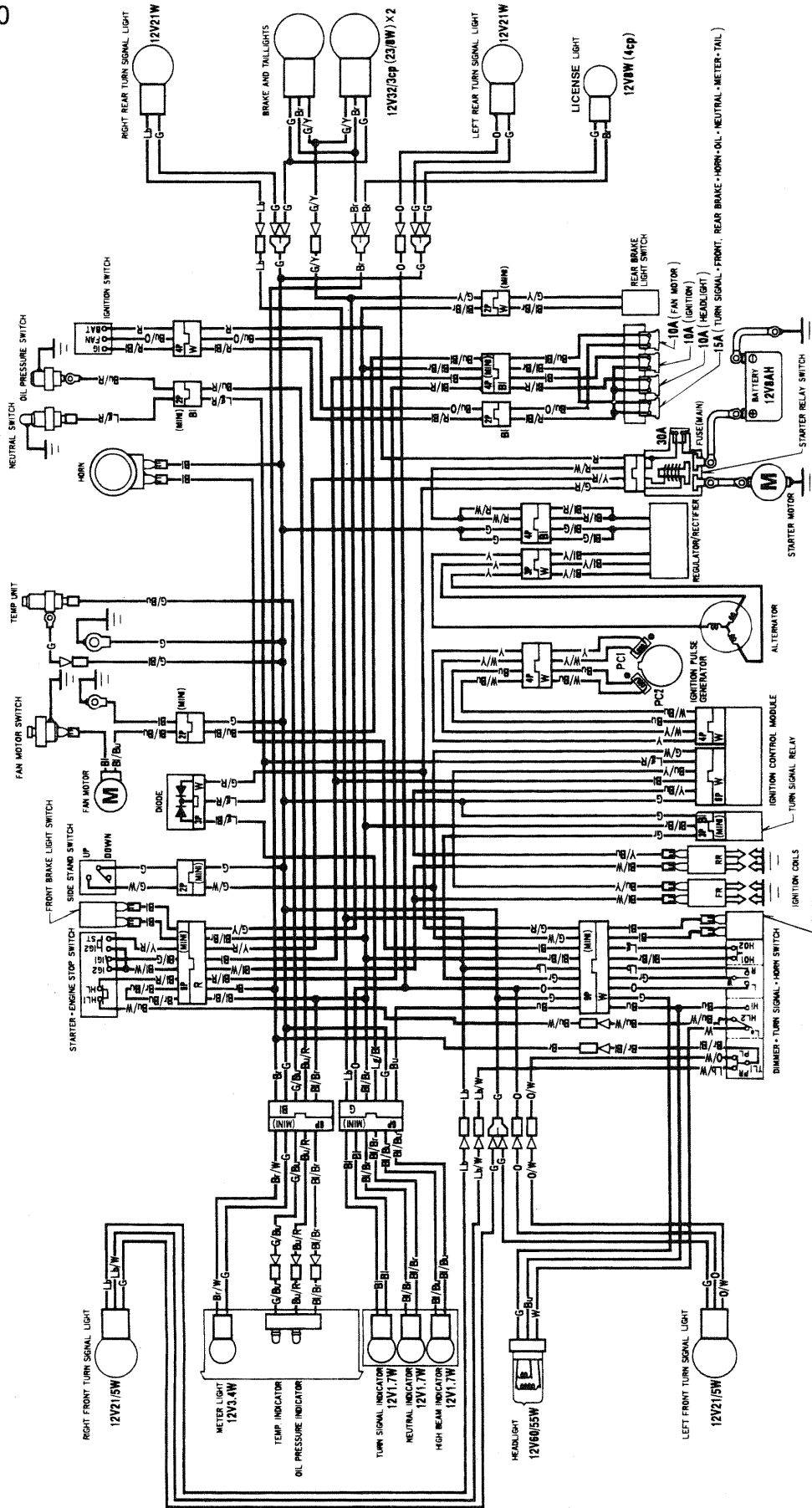
- B BLACK
- Y YELLOW
- Bu BLUE
- G GREEN
- R RED
- W WHITE
- B BROWN
- O ORANGE
- Ls LIGHT BLUE
- L LIGHT GREEN
- P PINK
- Gr GRAY

0030Z-MZ8-L500

SWITCH CONTINUITY

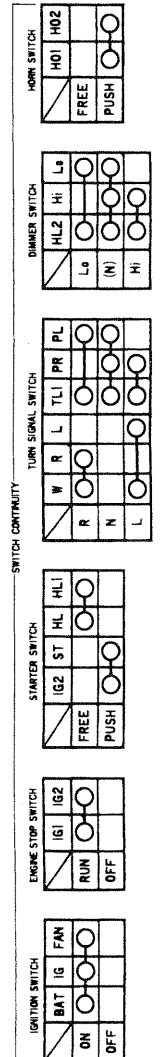
IGNITION SWITCH	BAT	IG	FAN						
	ON								
ENGINE STOP SWITCH	IG1	IS2							
	RUN	OFF							
STARTER SWITCH	IG2	ST	HL	HL1					
	FREE								
DIMMER SWITCH	HL2	HL							
	Lo	(N)	HL						
TURN SIGNAL SWITCH	W	R	L	TL	PR	PL			
	R	N							
HORN SWITCH	HO1	HO2							
	FREE	PUSH							

After '00



- BI BLACK
- Y YELLOW
- B BLUE
- G GREEN
- W WHITE
- B BROWN
- O ORANGE
- L3 LIGHT BLUE
- L4 LIGHT GREEN
- P PINK
- GR GRAY

0030Z-MZ8-V000



NEW